

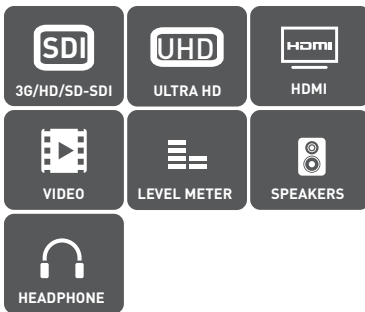
HDM-550/420-4K

55" / 42" UHD Broadcast Video Monitor



ULTRA HD

Professional, High Performance Ultra HD Video Monitor with Quad-Split Function



The HDM-550-4K and HDM-420-4K LCD monitors are high performance broadcast UHD monitors tailored to most applications from studio production, outside production and playout and monitoring environments.

A slim bezel houses professional IPS glass with a full resolution of 3840 x 2160 and an LED backlight to ensure that the HDM-550-4K and HDM-420-4K monitors reproduce natural color at the fastest response times.

The unit boasts a wide viewing angle as well as excellent brightness and contrast ratio. Advanced 10-bit digital signal processing technology plus a 3D comb filter, de-interlacer and highly accurate scaling ensures the monitors portray smoother more natural image reproduction.

With Quad-Link 3G-SDI or Quad-Link HDMI (DVI Interface) (up to 1920x1080p60) inputs, the monitor offers multiple display options including a single UHD Display; any single 3G/HD/SD-SDI or DVI/HDMI input upscaled to single UHD Display; or any four separate HD/SD inputs displayed as Quad-Split (up to 1920x1080p60 each).

Next to excellent video quality, the HDM-550-4K and HDM-420-4K offer extra functions including on-screen audio metering and IMD.

Features/Benefits:

- Space saving, low profile bezel. Wall mount or table standing.
- Up to 1080P individual quad split or single quad 3G Ultra HD display.
- Wide viewing angle IPS glass.
- Uses 10-bit signal processing technology, plus advanced deinterlacing.
- Supports audio metering, IMD.
- Configuration of color temperature, scan modes, Blue Only/Monochrome mode.

Part Numbers:

HDM-420-4K-TT 8001-0600
HDM-550-4K-TT 8001-0610

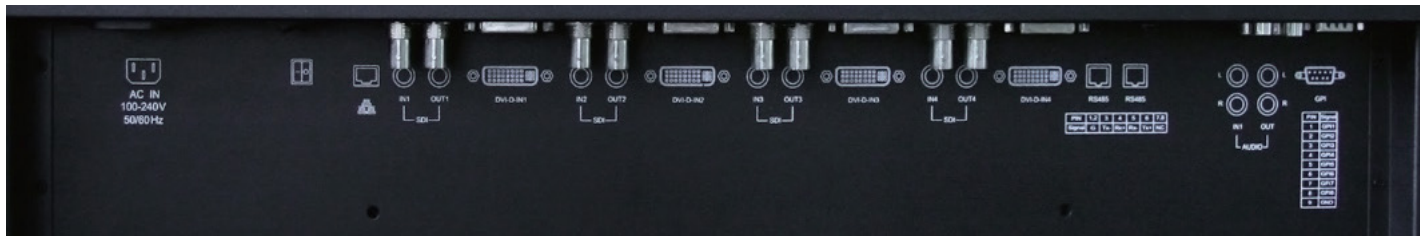
42" UltraHD LED Video Monitor, 4 x 3G/HD/SD-SDI BNC Inputs.
55" UltraHD LED Video Monitor, 4 x 3G/HD/SD-SDI BNC Inputs.

HDM-550/420-4K

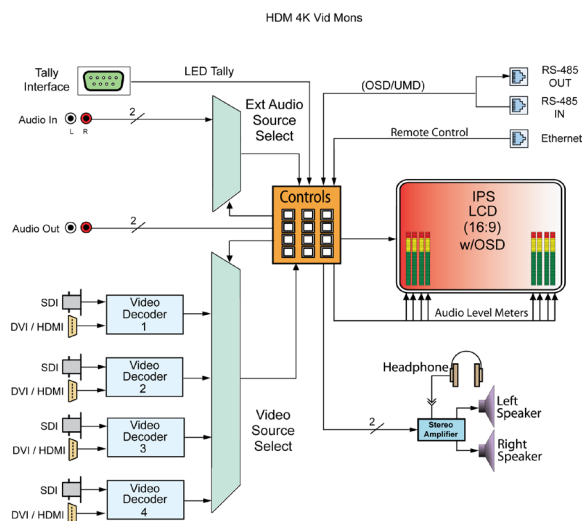
55" / 42" UHD Broadcast Video Monitor



Rear Panel



Block Diagram



Specifications

| | |
|----------------------------|---|
| Video Inputs: | 3G-/HD/SD-SDI on 4x BNC; DVI/HDMI on 4x DVI-D jacks |
| Video Formats: | Quad-Link 3G-SDI or Quad-Link DVI (up to 1920x1080p60) for single UHD Display; or any single 3G/HD/SD-SDI or DVI/HDMI input upscaled to single UHD Display; or any four separate HD/SD inputs displayed as Quad-Split (up to 1920x1080p60 each) |
| Video Display Resolutions: | 3840(H) x 2160(V) UHD (16:9) |
| Video Frame Rate: | 60, 59.94, 50, 48, 30, 29.97, 25, 24 |
| Viewing Angle: | 178°(H) x 178°(V) |
| Luminance: | 350 cd/m ² (42"); 400 cd/m ² (55") |
| Contrast: | 5,000:1 (typical) (42"); 1,400:1 (55") |
| Color Depth: | 16.7M (42") / 1.06B (55") |
| Color Temperature: | D32, D50, D56, D65, D93, USER1, USER2 |
| Audio Inputs: | Embedded audio on SDI and DVI/HDMI |
| Audio Outputs: | Stereo Speakers 5W x2; Analog on 2x RCA jacks |
| OSD Audio Meters: | 2-8 channels for each display window, from SDI or HDMI video input |
| OSD Functions: | Dual IMD per display window, Tally, Audio/Video Lost Alarms per display window, Blue only, H/V Delay |
| Control Interfaces: | GPI x8 on DB9; RS-485 on RJ45, Ethernet 10/100M on RJ45 |
| Dimensions: | 954mm W x 553mm H x 81mm D (42"); 1245mm W x 716mm H x 81mm D (55"); VESA 350mm; Table stand included |