

Quad Split LCD Monitors

RMQ-200-3G and RMQ-230-3G



Simultaneously monitor four display screens, each with independent controls

RMQ Series Quad Split Monitors

Model Name Schema

-200: 20" Diagonal

-230: 23" Diagonal

Inputs/Outputs

- « 4 autosensing 3G/HD/SD-SDI/CVBS BNC inputs with 3G/HD/SD-SDI loop-thru outputs,
- « 4 analog audio pair inputs
- « 1 HDMI input and 1 HDMI output

The RMQ Series quad split, LED-backlit LCD displays are high-performance professional monitors that support advanced 10-bit digital processing technology. These monitors feature 3D comb filter, de-interlace, accurate scaling engine, GAMMA correction and color temperature adjustment.

The state-of-the-art RMQ Series monitors can be configured as a quad split display of four equal areas, as a large screen with three smaller views, or as a single large display screen. They are ideally suited for use in news and transmission control rooms, program production, channel branding and any environment that requires intensive monitoring.

The RMQ Series accepts up to 4 channels of 3G/HD/SD-SDI/CVBS signals (3G models) and one HDMI/DVI input selectable for Channel 1. Each individual display supports waveform, vectorscope, audio de-embedding, and metering of up to 16 channels, UMD, format display and various markers.

Benefits

- Simultaneously monitor four display screens and control each image independently
- User-defined hot key functionality for either H/V delay, underscan, on-screen display, and more
- On-screen level meters provide audio confidence monitoring
- Tally and on-screen labeling provide quick and easy signal identification
- CRT-style image controls allow video image enhancement for each screen individually

Features

- Supports multi-format analog and digital audio signals
- Allows adjustment of the parameters for each screen
- Provides high-quality waveform or vector monitoring (for Ch 1 & Ch 3 in Quad View)
- Supports HDMI output duplicate of screen configuration
- User-adjustable color temperatures with presets



Order Part Numbers

RMQ-230-3G: 8011-0230

RMQ-200-3G: 8011-0260

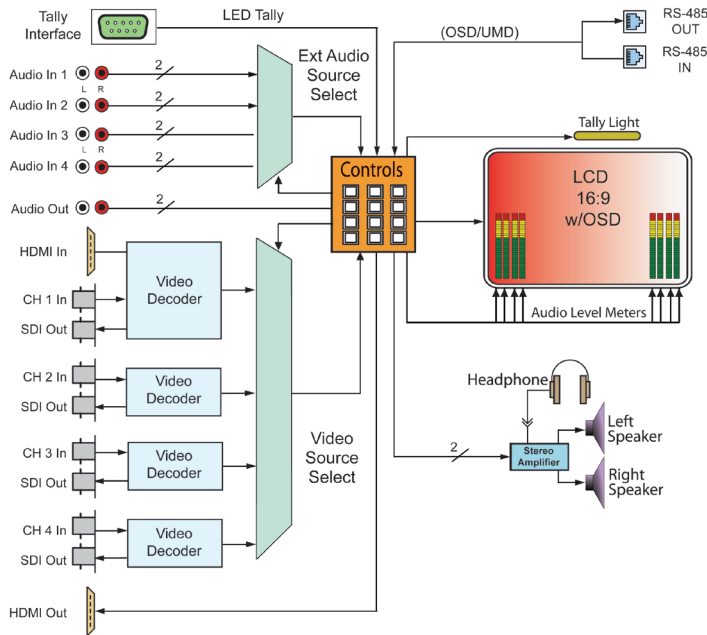
Rack Mount: 790032

Adjustable desktop stand for all RMQ models: 790021

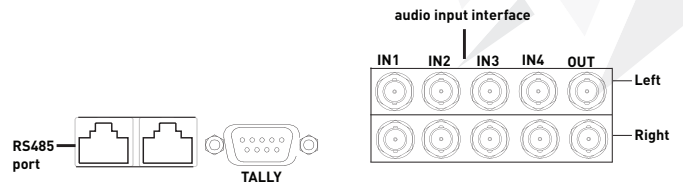
Quad Split LCD Monitors

RMQ-200-3G and RMQ-230-3G

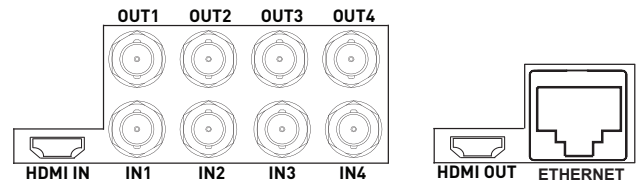
Block Diagram



Rear Panel - Left



Rear Panel - Right



Specifications

[View complete list of specifications online at wohler.com](http://www.wohler.com)

	RMQ-200-3G	RMQ-230-3G
Display Type	TFT-LCD, LED Backlight	
Display Size	20" Diagonal	23" Diagonal
Resolution	1600 x 900	1920 x 1080
Aspect Ratio	16:9	
Active Viewing Angle	178° x 178° (H / V)	
Luminance	250 cd/m ²	350 cd/m ²
Colors	16.7 million, 24bit	
Contrast	1000:1	900:1
Pixel Pitch (mm)	0.0277 (RGB-H) x 0.273 (V)	0.0273 (RGB-H) x 0.273 (V)
Input Signal Format:	<ul style="list-style-type: none"> • 3G-SDI • HD-SDI • SD-SDI • Analog Composite 	
	1080p50, 1080p59.94, 1080p60 1080i50, 1080i59.94, 1080i60, 720p50, 720p59.94, 720p60, 1035i59.94, 1035i60 480i59.94, 576i50 PAL, NTSC	
Space Requirements	7RU	8RU*
Accessories	AC power adapter, tabletop stand included. Adjustable desktop and rack adapters optional. * For rack adapters for 230 Series, consult factory. VESA-100 mount provides a variety of mounting options.	
Power Connector	AC power adapter (100-240VAC to 12 VDC)	
Power Requirements	AC power adapter connects to mains power (100 to 240 VAC ± 10%, 50/60Hz)	
Power Consumption	75W	
Dimensions (W x H x D)	19.00" x 12.20" x 2.47" (482 mm x 310 mm x 70 mm)	21.85" W x 13.75" H x 2.75" D (555 mm x 349 mm x 70 mm)
Shipping Weight/ Net Weight	20 lb (9.2 kg)/ 14 lb (6.4 kg)	23 lbs (10.4 kg) / 17 lbs (7.7 kg)

Specifications subject to change, errors and omissions excepted.
All trademarks, product names and logos are the property of their respective owners.
Any rights not expressly granted herein are reserved. ©2018, Wohler Technologies Inc.