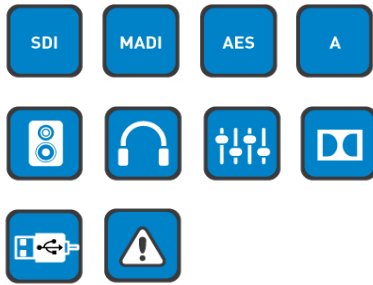


# iAM-MIX-16/08

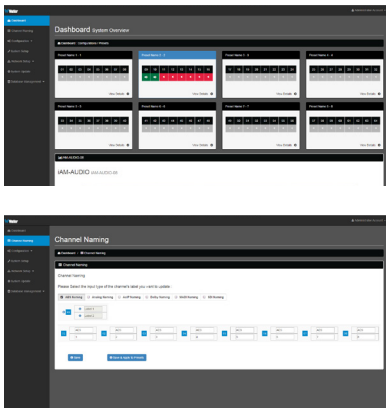
## Intelligent Audio Monitoring



Intuitive monitoring and mixing of audio from multiple sources with browser-based user interface



### Remote Control/Monitoring



Wohler Technologies has been in the business of in rack monitoring for over 25 years. In fact we invented it! Now with the introduction of the iAM Series, Wohler has re-invented this critical piece of broadcast technology for the modern media enterprise.

### Flexible. Adaptable. Future Proof.

Specifically designed for fast-paced OB, studio and live-to-air production environments, iAM-MIX provides intuitive audio signal monitoring with instant access to 8 stored configurations of any user-defined channel groups for easy navigation between up to 64 channels.

iAM-MIX comes equipped with Analog audio, AES and MADI inputs with options for 3G/HD/SD-SDI and multimode or singlemode fiber MADI interfaces and allows any source format to be routed to the front panel controls for monitoring and mixing. Choose from either 8 or 16 level controls both with an independent master level control and instant mute capability. Individual OLED display indicators show status, presence metering and channel name – which can be manually edited or automatically read from a network connected router.

Multiple units on the same network can be controlled via a browser-based user interface that supports fast configuration with role-based authentication to protect critical configurations.

iAM-MIX is the perfect solution for any application that requires a simple, compact solution for monitoring a range of audio signals. Units are available with either 8 or 16 controls.

### Features/Benefits:

- Fast selection and summing of up to 16 audio channels
- Intuitive front panel with 8 or 16 individual level controls and quick muting
- Channel names can be displayed for each input
- Store and retrieve presets via USB or remote software control
- Built-in speakers, headphone jack, USB and Ethernet ports
- A range of useful connectors, including SFP slots for future I/O support
- Open API for remote control, logging and setup
- Apply software feature upgrades with zero downtime
- Compact, space-saving units

### Order Part Numbers

iAM-MIX8-DA:	8114-0100	Analog, AES & MADI monitoring with 8 controls
iAM-MIX8-SDA:	8114-0110	3G/HD/SD-SDI, Analog, AES & MADI monitoring with 8 controls
iAM-MIX8-SDA-E:	8114-0120	3G/HD/SD-SDI, Analog, AES & MADI monitoring with 8 controls, Dolby
iAM-MIX16-DA:	8114-0150	Analog, AES & MADI monitoring with 16 controls
iAM-MIX16-SDA:	8114-0160	3G/HD/SD-SDI, Analog, AES & MADI monitoring with 16 controls
iAM-MIX16-SDA-E:	8114-0170	3G/HD/SD-SDI, Analog, AES & MADI monitoring with 16 controls, Dolby

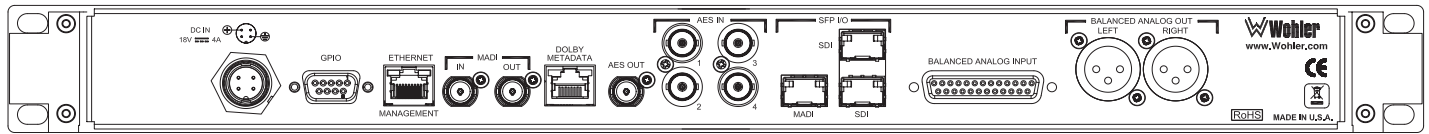
### Options (Available for all units)

SFP-MMMF:	829081	MADI fiber transceiver; Multimode, LC Connectors. Software and GUI
SFP-MSMF:	829082	MADI fiber transceiver; Singlemode, LC Connectors. Software and GUI
SFP-SDIB:	829083	3G/HD/SD-SDI Video Transceiver, HD-BNC. Software and GUI licence

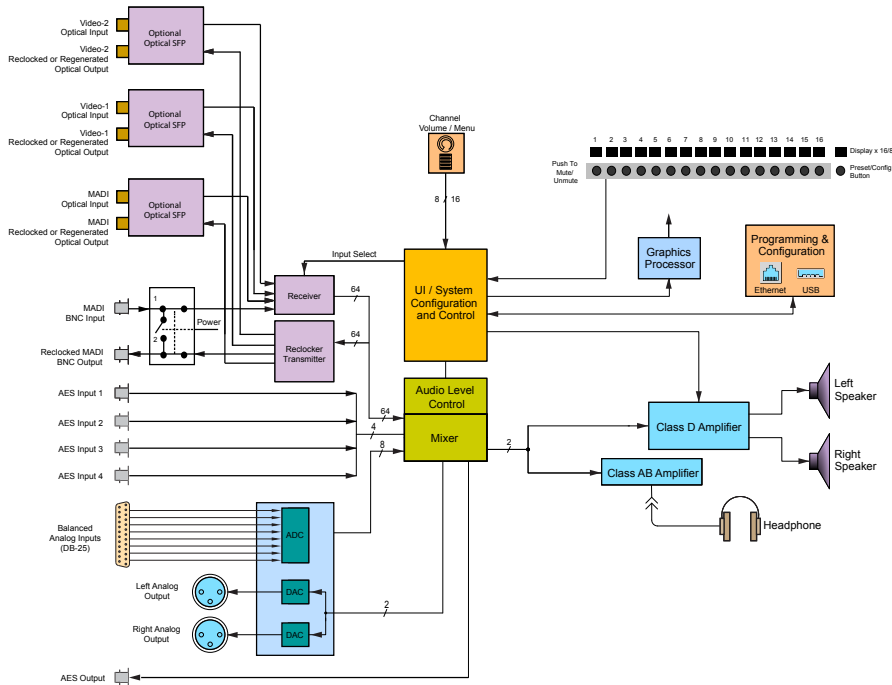
# iAM-MIX-16/08

Intelligent Audio Monitoring

## Rear Panel



## Block Diagram



## Specifications

[View complete list of specifications online at wohler.com](http://www.wohler.com)

Dimensions (W x H x D)	1RU in standard 19" rack: 19" x 1.75" x 6" (482.6 mm x 44.5 mm x 152.4 mm)
Shipping Weight / Net Weight	6.5 lbs. (2.9 kg) / 4.5 lbs. (2.0 kg)
Power Consumption/Requirements	30 W typical • 100 to 240 VAC ± 10%, 50/60 Hz
Inputs/Outputs	<ul style="list-style-type: none"> <li>• 3 SFP slots</li> <li>• 1 relocked or regenerated MADI BNC with switched loop through</li> <li>• 4 AES input</li> <li>• 1 AES Output</li> <li>• 8 Balanced analog inputs</li> <li>• 1 headphone (1/4" jack)</li> <li>• Ethernet</li> </ul>
Display Type	OLED x16/08
Sample Rate	48 kHz
Frequency Response	150 Hz to 16 kHz (± 5 dB) acoustic, 40 Hz to 20 kHz (± 1dB) electrical
Distortion	< 2% 300 Hz to 10 kHz acoustic, <0.01% THD+N electrical
Acoustic Output	90 dB SPL @ 2 feet
Presets	8 programmable/nameable. Can be copied from unit to unit via USB or GUI software and Ethernet

**Wohler Technologies HQ**  
Phone: +1 510 870 0810  
Email: sales@wohler.com

**Wohler Technologies/APAC**  
Phone: +852 8199 0563  
Email: sales@wohler.com

**Wohler Technologies/EMEA**  
Phone: +44 (0) 207 1937066  
Email: sales@wohler.com

Infinite Possibilities.



One Wohler.