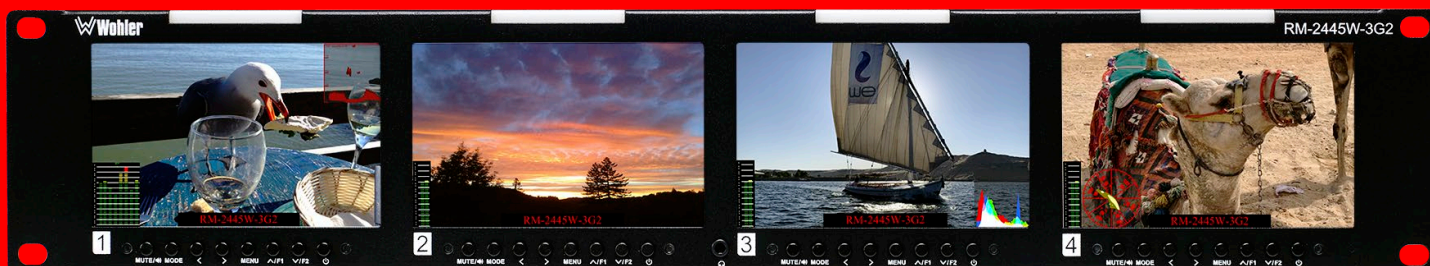




# RM-2445W-3G2

Quad 4.5" Dual Input 3G/HD/SD-SDI, Composite, Video Monitor, 2RU



Fully featured, slim and cost effective quad 4.5" rack-mountable video monitor with on-screen audio level meters, video vectorscope and histogram.



The RM Series is a full-featured range of slim, in-rack video monitors ideal for mobile trucks, news and transmission control rooms, production/post-production and video surveillance applications. These RM-2445-3G2 monitors come standard with in-monitor level metering, selectable video vectorscope/histogram, safe area and aspect ratio markers, IMD labeling, tally, and built-in color bars, as well as a variety of picture controls and assistive video features such as zoom controls and focus assist.

All standard frame rates and resolutions are supported from 3G-SDI or Analog CVBS input sources and each input has a looping output. Up to 16 audio channels may be selected for visual monitoring using on-screen bar graph style level meters. A 3.5mm headphone socket provides optional private monitoring.

Each of the high-resolution LCD screens displays high-definition or standard-definition video in a range of aspect ratios. Parameters are selected and adjusted using an on-screen display menu.

### Features/Benefits:

- On-screen level meters up to 16 channels provide confidence audio monitoring
- Tally and on-screen labeling provide quick and easy signal identification
- Image controls allow video image enhancement for each screen, individually
- On-screen video vectorscope and histogram displays
- Ratio and Safe Area markers
- Built-in color bars
- Intuitive on-screen menu
- Headphone output
- Client/Server GUI network control, ideal for configuring difficult to reach wall-mounted monitors.

Order Part Number:  
RM-2445W-3G2 – 8002-0360

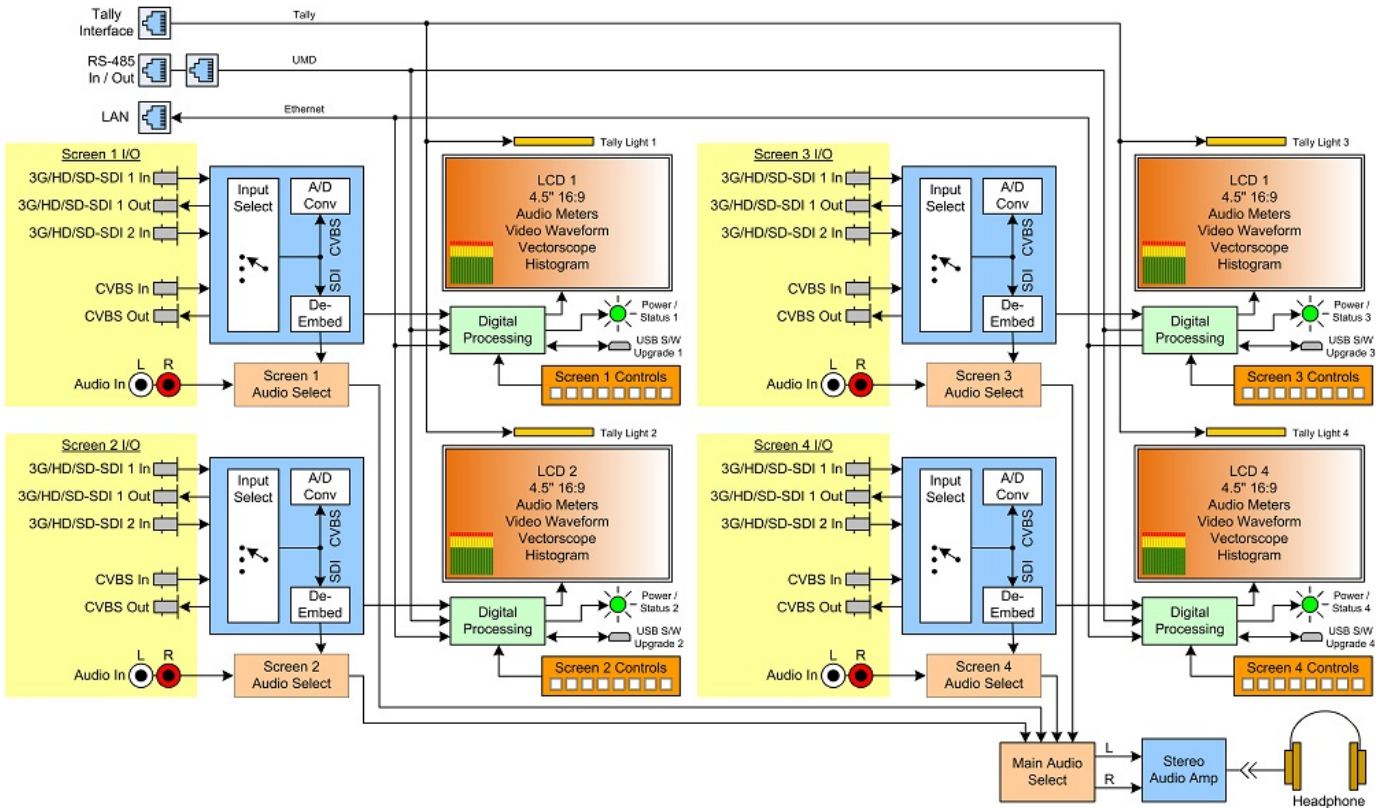


# RM-2445W-3G2

Quad 4.5" 3G/HD/SD-SDI, Composite, Video Monitor, 2RU



## Block Diagram



## Specifications

Specifications	
Video Inputs (per screen):	2 x auto-sensing 3G/HD/SD-SDI, 1 CVBS on BNC,
Video Outputs (per screen)	1 x looped 3G/HD/SD-SDI, 1 x looped CVBS on BNC,
Audio Inputs (per screen)	2 x analog on RCA
Video Frame Rate	480i / 576i 720p (60 / 59.94 / 50 / 30 / 29 / 25 / 24 / 23.98) 1080i (60 / 59.94 / 50) 1080p (60 / 59.94 / 50 / 30 / 29.97 / 25 / 24 / 24sF / 23.98 / 23.98sF)
Screen Size / Display Area	4.5" diagonal per screen; 98 mm (H) x 62 mm (V)
Video Display Resolutions	1280(H) x 800(V) (16:9; 4:3 selectable)
Luminance	470 cd/m <sup>2</sup>
Contrast	900.1
Color Depth	16.8 million (8bit)
OSD Audio Meters	2-16 channels for each display window (source dependent)
Control Interfaces	2 x RS485 (IMD) on RJ-45; 1 x RJ-45 (tally)
Dimensions (W x H x D), Weight	3.5" x 19" x 3.9" (88mm x 484mm x 100mm); 2RU; 6 lbs (2.7 kgs)

Specifications subject to change, errors and omissions excepted  
All trademarks, product names and images are the property of their respective owners  
Any rights not expressly granted herein are reserved.