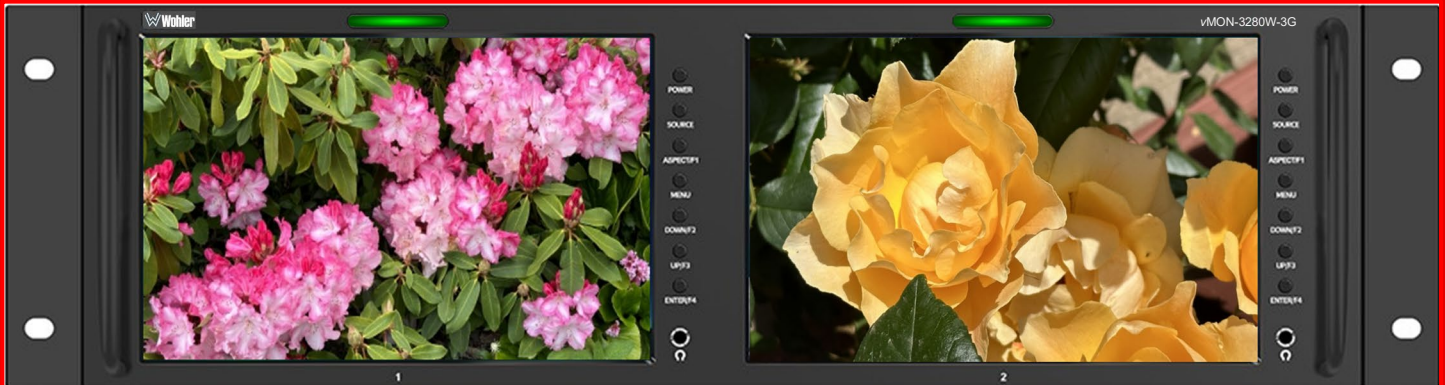


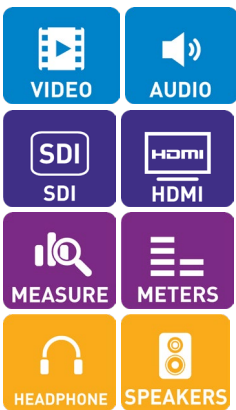
vMON-3280W-3G

Dual 8" 3G/HD/SD-SDI, HDMI Video Monitor, 3RU



Cost effective dual 8" screen, 3RU rack-mountable video monitor with on-screen audio level meters, video vectorscope, waveform and histogram.

The vMON-3280W-3G is a full-featured in-rack video monitor ideal for mobile trucks, news and transmission control rooms, production/post-production and video surveillance applications. These tilting monitors come standard with in-monitor level metering, selectable video waveform/vectorscope/histogram, safe area and aspect ratio markers, IMD labeling and tally, as well as a variety of picture controls and assistive video features such as zoom controls and focus assist.



All standard frame rates and resolutions are supported from 3G-SDI, HDMI input sources with SDI looping output. Up to 8 audio channels may be selected for visual monitoring using on-screen bar graph style level meters. Monitoring speakers to the rear of the unit allow the selected screen to be audibly monitored, while a 3.5mm headphone socket provides optional private monitoring.

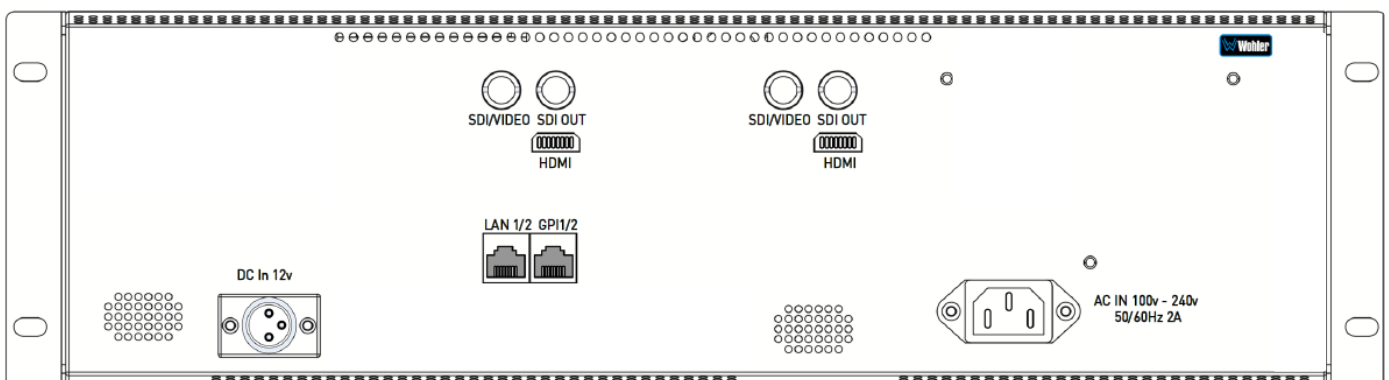
Each of the high-resolution LCD screens displays high-definition or standard-definition video in a range of aspect ratios. Parameters are selected and adjusted using an on-screen display menu.

Features/Benefits:

- On-screen level meters up to 8 channels provide confidence audio monitoring
- Tally and on-screen labeling for quick and easy signal identification
- Image controls allow video image enhancement for each screen, individually
- On-screen video waveform, vectorscope and histogram displays
- Ratio and Safe Area markers
- Intuitive on-screen menu
- Headphone output
- Client/Server GUI network control, ideal for configuring difficult to reach wall-mounted monitors.

Order Part Number: 8006-0400

Rear Panel

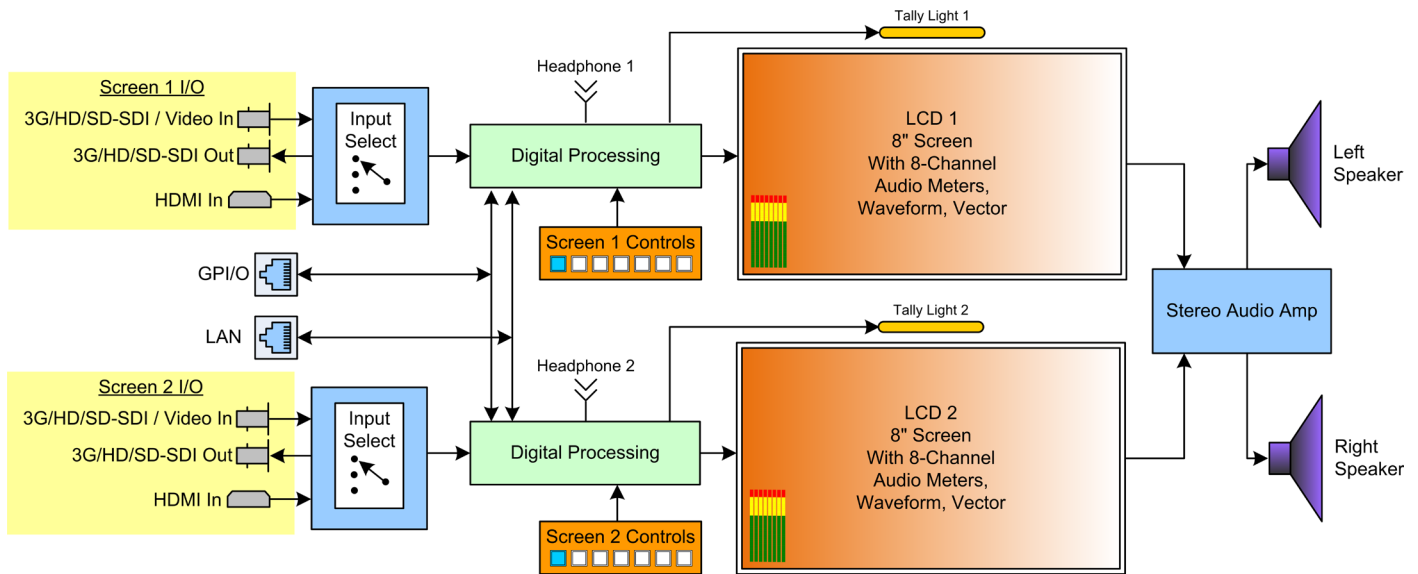


vMON-3280W-3G



Dual 8" 3G/HD/SD-SDI, HDMI Video Monitor, 3RU

Block Diagram



Specifications

Specifications	
Video Inputs (per screen):	1x auto-sensing 3G/HD/SD-SDI, 1 x HDMI 1 x Video input(shared with the SDI input BNC)
Video Outputs (per screen)	1 x looped 3G/HD/SD-SDI,
Audio Inputs (per screen)	8 channels embedded audio
Audio Headset Output	3.5mm headset jack
Speakers	2 x 2.5W
Video Frame Rate	480i(59.94), 576i(50) 1035i(60/59.94) 720P(60/59.94/50/30/29.97/25/24/23.98) 1080i(60/59.94/50) 1080p (60 / 59.94 / 50 / 30 / 29.97 / 25 / 24 / 24sF / 23.98 / 23.98sF)
Screen Size / Display Area	8.0" diagonal per screen; 153.6 mm (H) x 90.0 mm (V)
Backlight	LED
Video Display Resolutions	1920 x 1200 (16:9; 4:3 selectable)
Luminance	290 cd/m ²
Contrast	900:1
Color Depth	16.7 million
Viewing Angle	160°(H)/160°(V)
Dimensions (W x H x D)	19" x 5.15" x 2.2" 482mm x 131mm x 56mm Weight: 5.75lbs 2.6kgs
Shipping Dims/Weight	25" x 13.5" x 9.5" 63 x 24 x 34cm Weight: 10lbs 4.4kgs
Power Input	DC 12V and AC 100-240V 50/60Hz
Power Consumption	25W

Specifications subject to change, errors and omissions excepted
All trademarks, product names and images are the property of their respective owners
Any rights not expressly granted herein are reserved.

Wohler Technologies, Inc.
1280 San Luis Obispo Ave., Hayward, CA, 94544, USA
+1 510 870 0810 | sales@wohler.com | www.wohler.com