

iVAM-SUM16-12G



IP-ready Audio & Video Monitoring & Metering with virtual rotary dials



16 channel, single screen, 12G-SDI & Analog Audio and Video Monitor and Mixer with options to license additional input signals.



The iVAM-SUM16-12G is a well featured, easy to use and competitively priced IP ready 16 channel audio and video monitors. The unit has virtual rotary dials to show and adjust trim levels and can be configured to operate in either single channel or pair mode.

Flexible. Adaptable. Future Proof.

Standard features include 12G-SDI and a pair of Analog inputs and outputs. Upgrade/license other signal formats and processing options, as and when needed, either initially or after purchase. Options for additional signals, include **Dante™ or Ravenna™ (with hitless 2022-7 support), SMPTE-2110, SMPTE-2022-7, AES3, and MADI.**

Network Capable with Remote access options:

The unit includes built-in support for remote monitoring provided by our MAVRIC software applications suite. All iAM Series monitors contain an onboard web server. Multiple units on the same network can be updated, monitored, and controlled via a web-based user interface.

Features/Benefits:

- Fast selection and summing of up to 8 or 16 audio channels with video, allowing quick muting and hold-for-solo. Video display includes resolution indication and HDR detection.
- Virtual rotary dials showing trim levels with master volume control and master mute/unmute
- Channel names can be displayed for each input or pulled from a router
- **Standard I/O:** 2 x 12G-SDI Inputs on BNC; 1 x 3G-SDI Output on BNC + 1 pair Analog in/out on XLR
- HDMI output of the monitored video source included.
- **Optional I/O:** for AES3 on HD-15, (incl selected audio source converted to AES3 out), MADI on BNC (looped out), and SMPTE 2110 or SMPTE 2022 via SFP
- **Option cards:** Choose between AoIP, an additional 8 channels of analog inputs and outputs, 2 additional SFP cages, or a 12G/MAVRIC option card.
- Store and retrieve up to 64 presets
- Optional Output routing enables the flexibility to route input signals to various outputs
- Measure Audio Loudness using ITU-R BS.1770 or EBU R128 standards
- Built-in speakers, headphone jack, USB and Ethernet ports with API's for remote management.
- API's for remote management and easy integration with 3rd party control systems.
- Built-in Audio-only remote monitoring probe. Requires MAVRIC remote monitoring subscription.

Specifications	
Dimensions (W x H x D)	1RU in standard 19" rack: 19" x 1.75" x 5.5" (483 mm x 45 mm x 140 mm). Shipping dims: 23"x 6"x 12"
Shipping Weight / Net Weight	8.0 lbs. (3.6 kg) / 5.5 lbs. (2.5 kg)
Power Consumption / Supply	65W, 100 to 240 VAC ± 10%, 50-60 Hz, CE & UL approved
Display Type / Resolution	7" (178 mm) LCD Capacitive Touchscreen; 1242H x 280V
Viewing Angle	160° (H) x 160° (V)
Audio Channels	8 or 16
Hum and Noise	Better than -68 dB below full output
Peak Acoustic Output	90 dB SPL @ 2 feet
Speaker Power Output	5W RMS per side, 12W Peak
Upgrades	Via USB or Web GUI

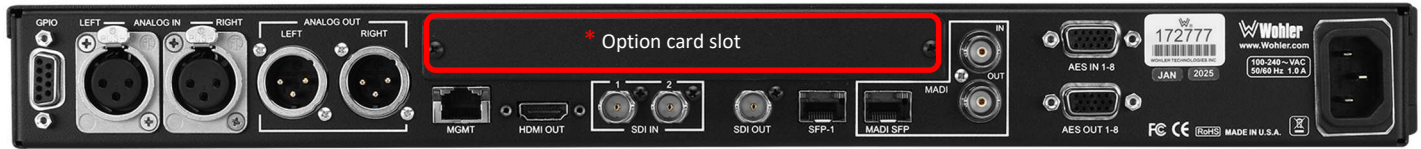


iVAM1-SUM16-12G



IP-ready Audio & Video Monitoring & Metering with virtual rotary dials

Rear Panel



Rear Panel Option Cards

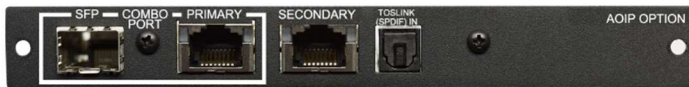
OPT-ANLG/TOS (SKU 829170)



OPT-SFP (SKU 829179)



OPT-DANTE/RAVENNA with TOSLINK



OPT-DANTE/RAVENNA with Unbalanced Analog



OPT-RMOC-12G (829189)



Ordering Information

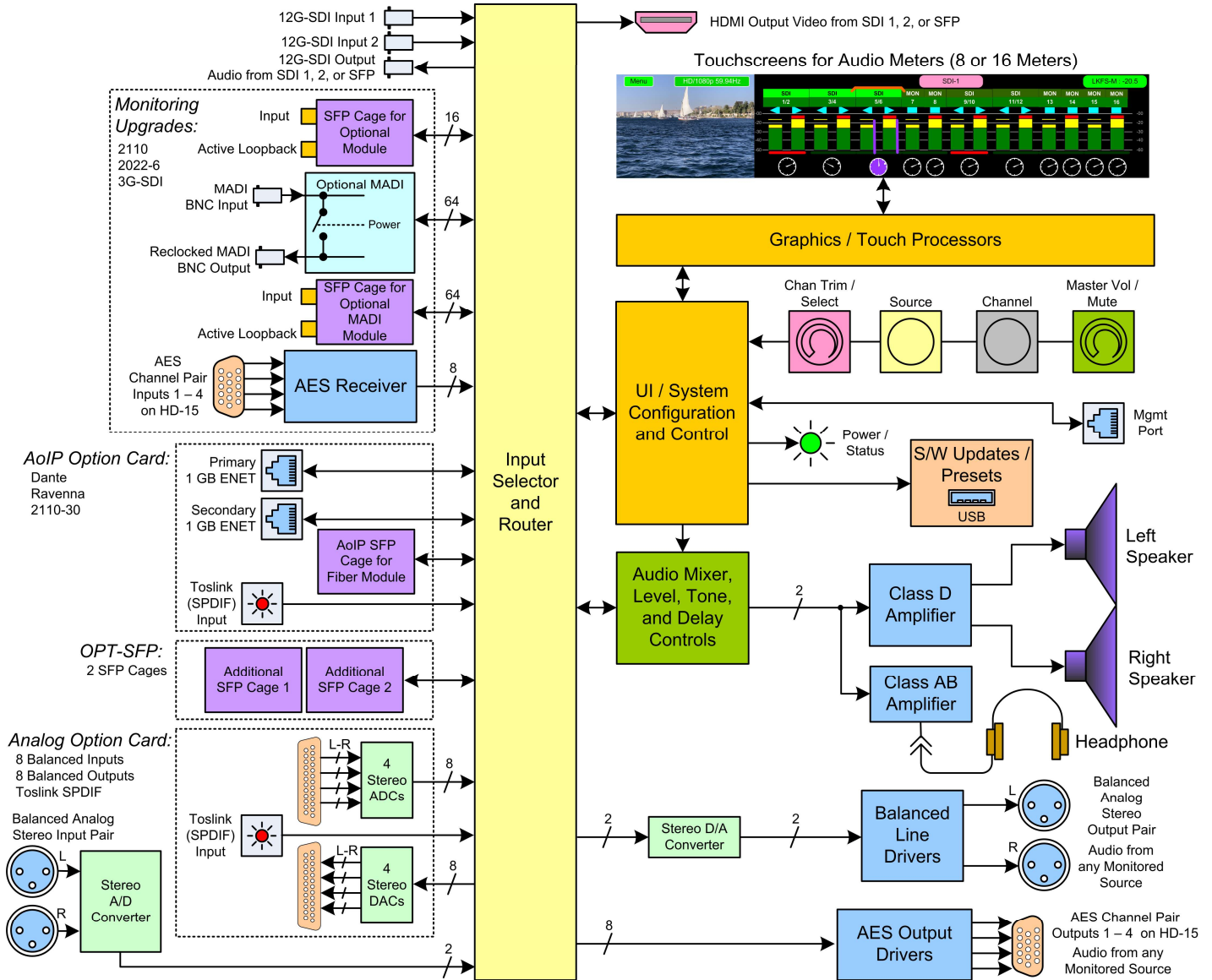
BASE UNITS		
iVAM1-SUM16-12G	8121-0410	1RU 16 channels of audio monitoring & 8 meters. Includes SDI & Analog as standard
PROCESSING OPTIONS		
OPT-OUTPUT ROUTING	829159	Enables the flexibility to route input signals to various outputs
I/O OPTIONS – SOFTWARE ACTIVATION KEY ONLY		
OPT-AES	829080	Enables monitoring of 4 x AES Input Pairs with 4 x AES Output Pairs. Software activation key.
OPT-MADI	829092	Enables monitoring of 1 x MADI64 input via BNC with a looped output. Software activation key.
SMALL FORM FACTOR PLUGGABLE (SFP) OPTIONS WITH SOFTWARE ACTIVATION KEY		
SFP-SDI	829089	3G/HD/SD-SDI single receiver w/ active loopback, HD-BNC Connectors
SFP-SDI-Fiber	829084	12G/3G/HD/SD-SDI or ASI single receiver w/ active loopback, HD-BNC Connectors
SFP-2022-6	829088	SMPTE 2022-6 Receiver; Multi-Mode 850 NM, LC (fiber) Connectors
SFP-2110 w/Ember+ or NMOS	829086-1	SMPTE 2110, Receiver; Multi-Mode 850 NM, LC (fiber) Connector. NMOS ships standard.
SFP-2110 w/Ember+ or NMOS or 2022-6	829087-1	SMPTE 2110 or 2022-6 Receiver; Multi-Mode 850 NM, LC (fiber) Connectors. NMOS ships standard
SFP-MM-MADI-FIBER	829081	MADI optical fiber transceiver, Multimode; LC Connectors
SFP-SM-MADI-FIBER	829082	MADI optical fiber transceiver, Single mode; LC Connectors
OPTION CARDS (1 OPTION CARD ONLY PER UNIT)		
OPT-ANLG/TOS	829170	Enable monitoring of 8 Analog channels on DB-25. Includes Optical TOSLINK input.
OPT-SFP Card	829179	Adds two additional 3G inputs to 3G products, or two 12G inputs to 12G products
OPT-DANTE / OPT-DANTE ANLG	829171 or 829171-1	Enable monitoring from up to 64ch Dante™ input streams, including primary and secondary RJ-45 for hitless/2022-7 support (for Dante and 2110-30 signals) and a Gigabit SFP cage allowing multi-mode and single-mode network SFP's for AoIP signals. Order 829171 for Optical TOSLINK Input or 829171-1 for 2 x unbalance Analog Inputs.
OPT-RAVENNA 64 / OPT-RAVENNA 64 ANLG	829172 or 829172-1	Enable monitoring from up to 64ch Ravenna™ input streams, including primary and secondary RJ-45 for hitless/2022-7 support (for Ravenna and 2110-30 signals) and a Gigabit SFP cage allowing multi-mode and single-mode network SFP's for AoIP signals. Order 829172 for Optical TOSLINK Input or 829172-1 for 2 x unbalance Analog Inputs.
OPT-RMOC-12G	829189(1U) 829190 (2U)	Will enable 12G inputs on any 3G iSeries Monitor! Includes single BNC and SFP slot for 12G/3G SDI or ST2110 input. Also Enables MAVRIC functionality , capable of monitoring 16 channels of audio (iAM & iVAM Series) plus a single video input on the iVAM Series, selectable from a choice of sources connected directly to the card, or inputs connected to the in-rack monitor.

iVAM1-SUM16-12G



IP-ready Audio & Video Monitoring & Metering with virtual rotary dials

Block Diagram



Specifications subject to change, errors and omissions excepted
 All trademarks, product names and images are the property of their respective owners
 Any rights not expressly granted herein are reserved.