

# iVAM2-2-G



3G-SDI & Analog Audio/Video Monitoring & Metering with Optional Signal Upgrades



**16 channel, dual-screen, 3G-SDI & Analog Audio & Video Monitor with optional 2022-7 support, plus options to license additional input signals.**

The iVAM2-2-G is a 2U height, well featured and competitively priced IP ready 16 channel video and audio monitor with a larger screen and more powerful speakers than our 1U offerings. It includes loudness measurement, phase status and HDR detection. It is touch-capable and designed to be easy to operate, providing fast access to meters, menus and presets.

### **Flexible. Adaptable. Future Proof.**

Standard features include 3G-SDI and a pair of Analog inputs and outputs. Upgrade/license other signal formats and processing options, as and when needed, either initially or after purchase. Options for additional signals, include **Dante™ or Ravenna™ (with hitless 2022-7 support), SMPTE-2110, SMPTE-2022-7, AES3, and MADI.**

### **Network Capable with Remote access options:**

The unit includes built-in support for remote monitoring provided by our MAVRIC software applications suite. All iAM Series monitors contain an onboard web server. Multiple units on the same network can be updated, monitored, and controlled via a web-based user interface.

### **Features/Benefits:**

- Audio monitoring (up to 16 channels) from multiple sources.
- **Standard I/O:** 2 x 3G-SDI Inputs on BNC; 1 x 3G-SDI Output on BNC + 1 pair Analog I/O on XLR.
- HDMI output of the monitored video source included.
- **Optional I/O:** for AES3 on HD-15, (incl selected audio source converted to AES3 out), MADI on BNC (looped out), and SMPTE 2110 or SMPTE 2022 via SFP
- **Option cards:** Choose between AoIP, an additional 8 channels of analog inputs and outputs, 2 additional SFP cages, or a 12G/MAVRIC option card.
- Optional monitoring for Dolby® D, DD+ or E streams
- Optional Output routing enables the flexibility to route input signals to various outputs
- Store and retrieve up to 64 presets
- Measure Audio Loudness using ITU-R BS.1770 or EBU R128 standards
- Built-in speakers, headphone jack, USB and Ethernet ports
- API's for remote management and easy integration with 3<sup>rd</sup> party control systems.
- Built-in Audio-only remote monitoring probe. Requires MAVRIC subscription.



### Rear Panel



# iVAM2-2-G



## 3G-SDI & Analog Audio/Video Monitoring & Metering with Optional Signal Upgrades

### Rear Panel Option Cards

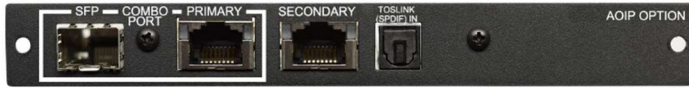
OPT-ANLG/TOS (SKU 829170)



OPT-SFP (SKU 829179)



OPT-DANTE/RAVENNA with TOSLINK



OPT-DANTE/RAVENNA with Unbalanced Analog



OPT-RMOC-12G (829189)



### Ordering Information

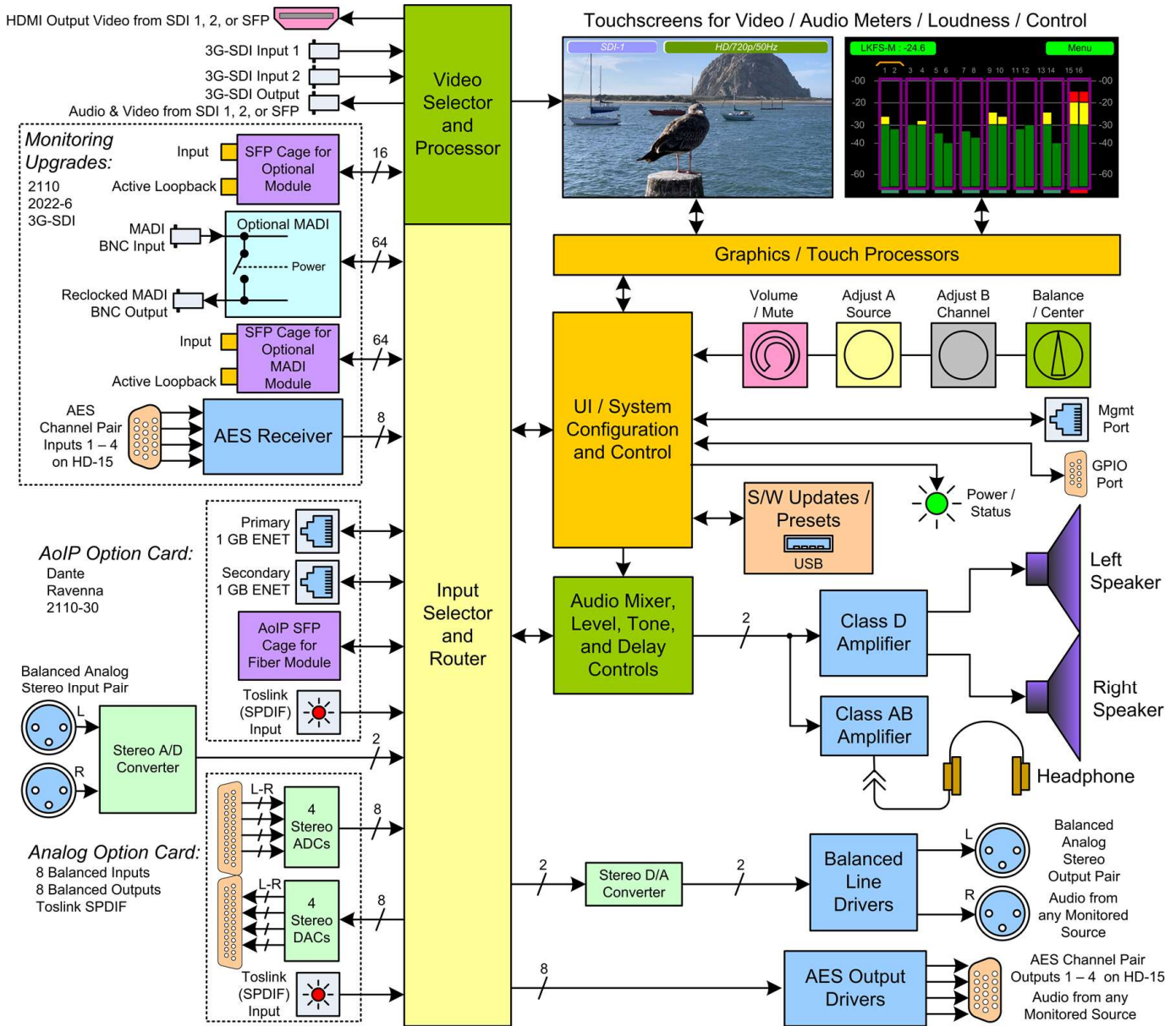
BASE UNITS		
iVAM2-2-G	8125-0200	2RU Base unit with up to 16 channels of monitoring. Includes SD/HD/3G-SDI & Analog as standard with HDMI output of monitored video source.
PROCESSING OPTIONS		
OPT-DOLBY	829174	Enables monitoring of Dolby® D, DD+ or E streams. Software activation key.
OPT-OUTPUT ROUTING	829159	Enables the flexibility to route input signals to various outputs. Software activation key.
OPT-GPIO	829198	Enables 4 GPI's and 2 GPO's. Software activation key.
I/O OPTIONS – SOFTWARE ACTIVATION KEY ONLY		
OPT-AES	829080	Enables monitoring of 4 x AES Input Pairs with 4 x AES Output Pairs. Software activation key.
OPT-MADI	829092	Enables monitoring of 1 x MADI64 input via BNC with a looped output. Software activation key.
SMALL FORM FACTOR PLUGGABLE (SFP) OPTIONS WITH SOFTWARE ACTIVATION KEY		
SFP-SDI	829089	3G/HD/SD-SDI single receiver w/ active loopback, HD-BNC Connectors
SFP-SDI-Fiber	829084	12G/3G/HD/SD-SDI or ASI single receiver w/ active loopback, HD-BNC Connectors
SFP-2022-6	829088	SMPTE 2022-6 Receiver; Multi-Mode 850 NM, LC (fiber) Connectors
SFP-2110 w/Ember+ or NMOS	829086-1	SMPTE 2110, Receiver; Multi-Mode 850 NM, LC (fiber) Connector. NMOS ships standard.
SFP-2110 w/Ember+ or NMOS or 2022-6	829087-1	SMPTE 2110 or 2022-6 Receiver; Multi-Mode 850 NM, LC (fiber) Connectors. NMOS ships standard
SFP-MM-MADI-FIBER	829081	MADI optical fiber transceiver, Multimode; LC Connectors
SFP-SM-MADI-FIBER	829082	MADI optical fiber transceiver, Single mode; LC Connectors
OPTION CARDS (1 OPTION CARD ONLY PER UNIT)		
OPT-ANLG/TOS	829170	Enable monitoring of 8 Analog channels on DB-25. Includes Optical TOSLINK input.
OPT-SFP Card	829179	Adds two additional 3G inputs to 3G products, or two 12G inputs to 12G products
OPT-DANTE / OPT-DANTE ANLG	829171 or 829171-1	Enable monitoring from up to 64ch Dante™ input streams, including primary and secondary RJ-45 for hitless/2022-7 support (for Dante and 2110-30 signals) and a Gigabit SFP cage allowing multi-mode and single-mode network SFP's for AoIP signals. <b>Order 829171 for Optical TOSLINK Input or 829171-1 for 2 x unbalance Analog Inputs.</b>
OPT-RAVENNA 64 / OPT-RAVENNA 64 ANLG	829172 or 829172-1	Enable monitoring from up to 64ch Ravenna™ input streams with add'l functionality as above for OPT-DANTE including primary and secondary RJ-45 for hitless/2022-7 support (for Ravenna and 2110-30 signals) and a Gigabit SFP cage allowing multi-mode and single-mode network SFP's for AoIP signals. <b>Order 829172 for Optical TOSLINK Input or 829172-1 for 2 x unbalance Analog Inputs.</b>
OPT-RMOC-12G	829189(1U) 829190 (2U)	<b>Will enable 12G inputs on any 3G iSeries Monitor!</b> Includes single BNC and SFP slot for 12G/3G SDI or ST2110 input. <b>Also Enables MAVRIC functionality</b> , capable of monitoring 16 channels of audio (iAM & iVAM Series) plus a single video input on the iVAM Series, selectable from a choice of sources connected directly to the card, or inputs connected to the in-rack monitor.

# iVAM2-2-G



## 3G-SDI & Analog Audio/Video Monitoring & Metering with Optional Signal Upgrades

### Block Diagram



Specifications	
<b>Dimensions (W x H x D)</b>	2RU in standard 19" rack: 19" x 3.5" x 5.5" (483 mm x 89 mm x 140 mm). Shipping dims: 24"x 8"x 17"
<b>Shipping Weight / Net Weight</b>	10.0 lbs. (4.5 kg) / 8.0 lbs. (3.6 kg)
<b>Power Consumption / Supply</b>	60W, 100 to 240 VAC ± 10%, 50-60 Hz, CE & UL approved
<b>Display Type / Resolution</b>	4.3" (109 mm) LCD Capacitive Touchscreen x 2, 480H x 272V
<b>Viewing Angle</b>	160° (H) x 160° (V)
<b>Audio Channels</b>	16 Max
<b>Hum and Noise</b>	Better than -68 dB below full output
<b>Peak Acoustic Output</b>	104 dB SPL @ 2 feet
<b>Speaker Power Output</b>	15W RMS per side, 30W Peak
<b>GPI/O</b>	4 GPI and 2 GPO which can be enabled via software license – OPT-GPIO
<b>Upgrades</b>	Via USB or Web GUI

Specifications subject to change, errors and omissions excepted  
 All trademarks, product names and images are the property of their respective owners  
 Any rights not expressly granted herein are reserved.